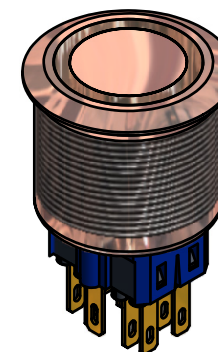
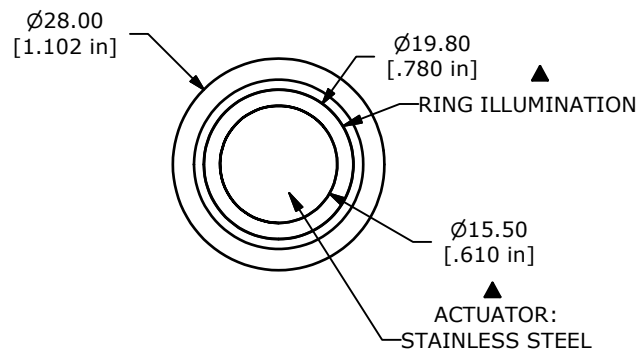
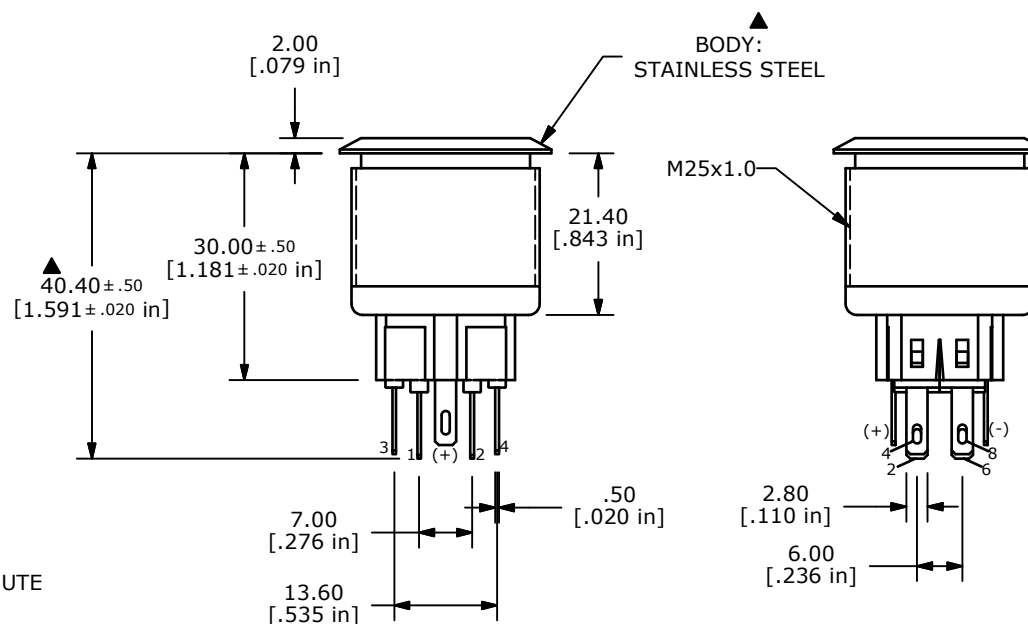
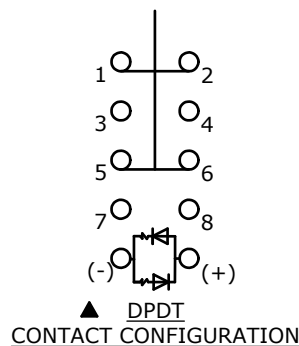


SWITCH FUNCTION ▲	
POS. 1	POS. 2
1-2, 5-6	3-4, 7-8



PANEL CUTOUT
MAX. PANEL THICKNESS 12mm



- NOTE:
1. ALL DIMENSIONS IN MM [INCH]
 2. GENERAL TOLERANCE: X.X = ± 0.4
X.XX = ± 0.25
 3. TERMINAL NOS. FOR REF. ONLY
 - ▲ 4. FUNCTION: DPDT MAINTAINED
 - ▲ 5. RATING: 2A @ 48VDC
 6. ILLUMINATION VOLTAGE: 250 V
 7. CONTACT RESISTANCE: 50mΩ MAX. @ 1A 12VDC
 8. INSULATION RESISTANCE: 1,000MΩ @ 500VDC
 9. DIELECTRIC STRENGTH: 2,000VAC MIN. FOR 1 MINUTE
 10. ELECTRICAL LIFE: 50,000 CYCLES
 11. OPERATING TEMPERATURE: -20°C TO 55°C
 12. INGRESS PROTECTION: IP65
 13. ▲ DENOTES CRITICAL PARAMETER
 14. 2002/95/EC (ROHS) COMPLIANT
 - ▲ 15. ILLUMINATION COLOR: GREEN (FORWARD), GREEN (REVERSE)
 16. CONTACT PLATING: SILVER
 17. HARDWARE SUPPLIED: O-RING AND HEXNUT



TITLE PV8F2U0SS-337				
SCALE 1.5:1	DATE 3/2/2015	DR rc	DWG 52-PV8F2U0SS337	REV A

A	21784	RELEASE FOR PRODUCTION	3/2/15	rc
REV	PCR NO	DESCRIPTION	DATE	BY
THE INFORMATION CONTAINED IN THIS DOCUMENT IS PROPRIETARY TO E-SWITCH AND IS NOT TO BE COPIED OR TRANSFERRED				